

Pump group SMTC 125 - DN 25 (1") - with thermostatic mixing valve



New valve
MIX THERM



Compact thermostatic mixing group **SMTC 125 - DN 25** is equipped with a thermostatic mixing valve brass three-way **MIX THERM** (kv 3.4) for regulating the temperature of 20 - 45 °C or 35-60°C (depending on the model of the group), two thermometers supply and return (with built-in check valve) steel connector and insulation. On request, the group can be equipped with a pump **Grundfos** or **Wilo**.

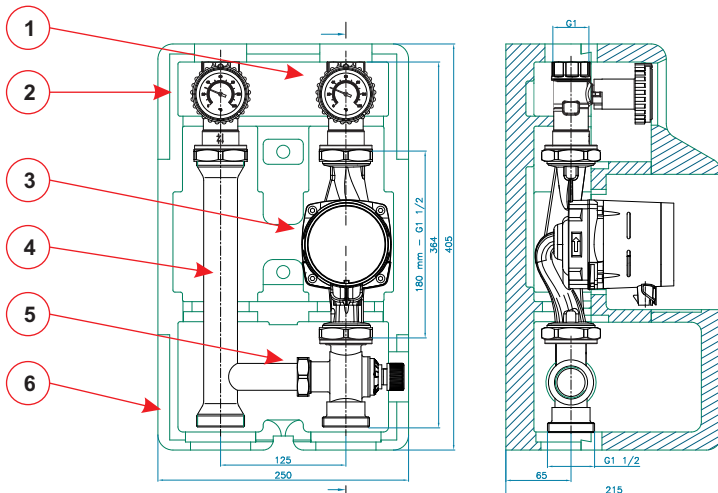
WARNING! Group comes from the supply side to the right. Sides can be switched.

Technical data:

Max pressure:	8 bar
Max temperature:	110 °C
Insulation material:	EPP black 60g/l
Axle spacing:	125 mm
kv mixing valve:	3,4
Thermo valve adjustment:	20-45°C for group SMTC1 or 35-60°C for group SMTC2
Gaskets material:	VITON/EPDM
Installation side:	1" F
Boiler side:	1½" M
Installation length of pump:	180 mm
Connection of the pump:	1 ½" M

Type	Catalog number SMTC1 20-45°C	Catalog number SMTC2 35-60°C
Pump group SMTC 125 - DN 25 with insulation, without pump	606071	606091
Pump group SMTC 125 - DN 25 with insulation, with pump Wilo Yonos Para 25/6	616074	616094
Pump group SMTC 125 - DN 25 with insulation, with pump Wilo Yonos Para 25/8	616075	616095
Pump group SMTC 125 - DN 25 with insulation, with pump Wilo Yonos Pico 25/1-6	616078	616098
Pump group SMTC 125 - DN 25 with insulation, with pump Wilo Yonos Pico 25/1-8	616079	616099
Pump group SMTC 125 - DN 25 with insulation, with pump Grundfos UPM3 Auto L 25-70	616076	616096
Pump group SMT C125 - DN 25 with insulation, with pump Grundfos Alpha 2 25 - 60	606075	606095

Pump group with pumps:



1. Supply ball valve with a thermometer 0-120 OC with a red handle.
2. Return ball valve with a thermometer 0-120 OC with check valve with manual lock, with blue handle.
3. Circulation pump (option) from Womix, Grundfos or Wilo.
4. 272 mm steel spacer.
5. MIX THERM 3-way thermostatic mixing valve.
6. EPP insulation.