

Pump group SA 125 - DN 25 (1") - without mixing valve



Compact pump group SA 125 - DN 25 is equipped with three brass ball valves including two with thermometers on supply and return (with built-in check valve) steel connector and insulation. On request, the group can be equipped with a pump **Grundfos** or **Wilco**.

WARNING! Group comes from the supply side to the right. Sides can be switched.

Technical data:

Max pressure:	8 bar
Max temperature:	110 °C
Insulation material:	EPP black 60g/l
Axle spacing:	125 mm
Gaskets material:	VITON/EPDM
Connections:	Installation side: 1" F Boiler side: 1 1/2" M
Installation length of pump:	180 mm
Connection of the pump:	1 1/2" M

Type	Catalog number
Pump group SA 125 - DN 25 with insulation, without pump	606051
Pump group SA 125 - DN 25 with insulation, with pump Wilo Yonos Para 25/6	616054
Pump group SA 125 - DN 25 with insulation, with pump Wilo Yonos Para 25/8	616055
Pump group SA 125 - DN 25 with insulation, with pump Wilo Yonos Pico 25/1-6	616058
Pump group SA 125 - DN 25 with insulation, with pump Wilo Yonos Pico 25/1-8	616059
Pump group SA 125 - DN 25 with insulation, with pump Grundfos UPM3 Auto L 25-70	616056
Pump group SA 125 - DN 25 with insulation, with pump Grundfos Alpha 2 25 - 60	606055

Pump group with pumps:

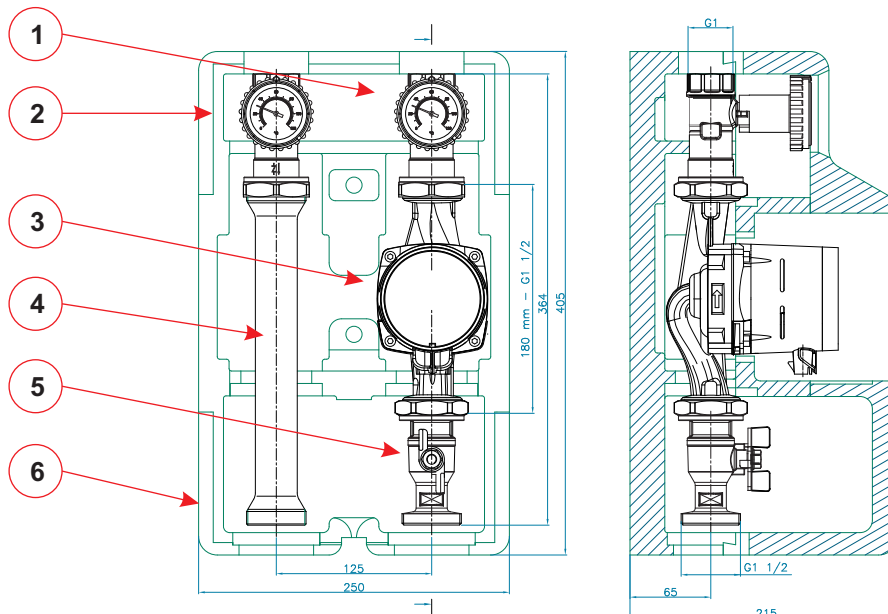


Wilo Yonos Para

Wilo Yonos Pico

Grundfos UPM3

Grundfos Alpha 2



1. Supply ball valve with a thermometer 0-120 C with a red handle.
2. Return ball valve with a thermometer 0-120 C with check valve with manual lock, with blue handle.
3. Circulation pump (option) from Womix, Grundfos or Wilo.
4. 272 mm steel spacer.
5. Ball valve with steel handle.
6. EPP insulation.